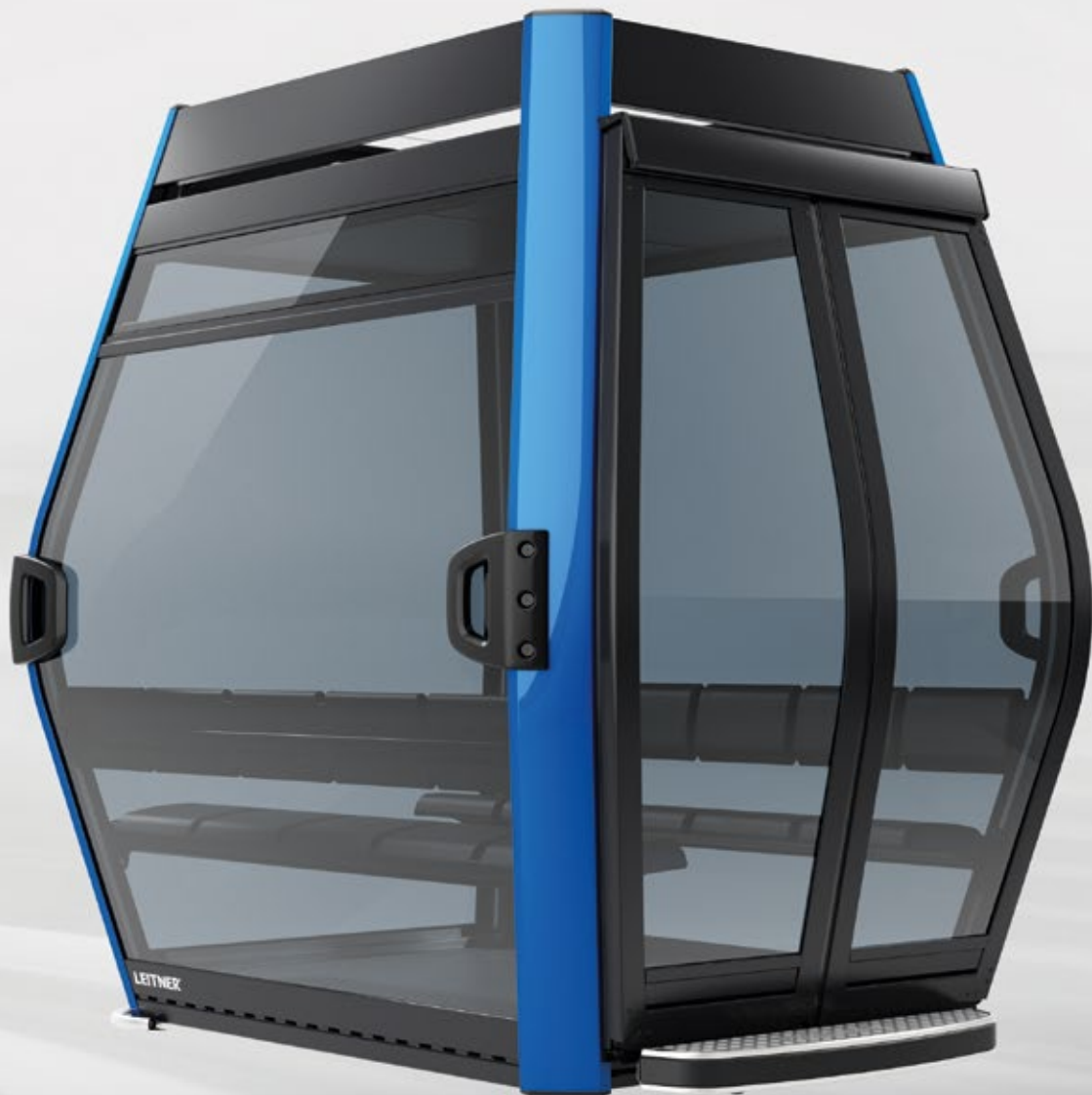
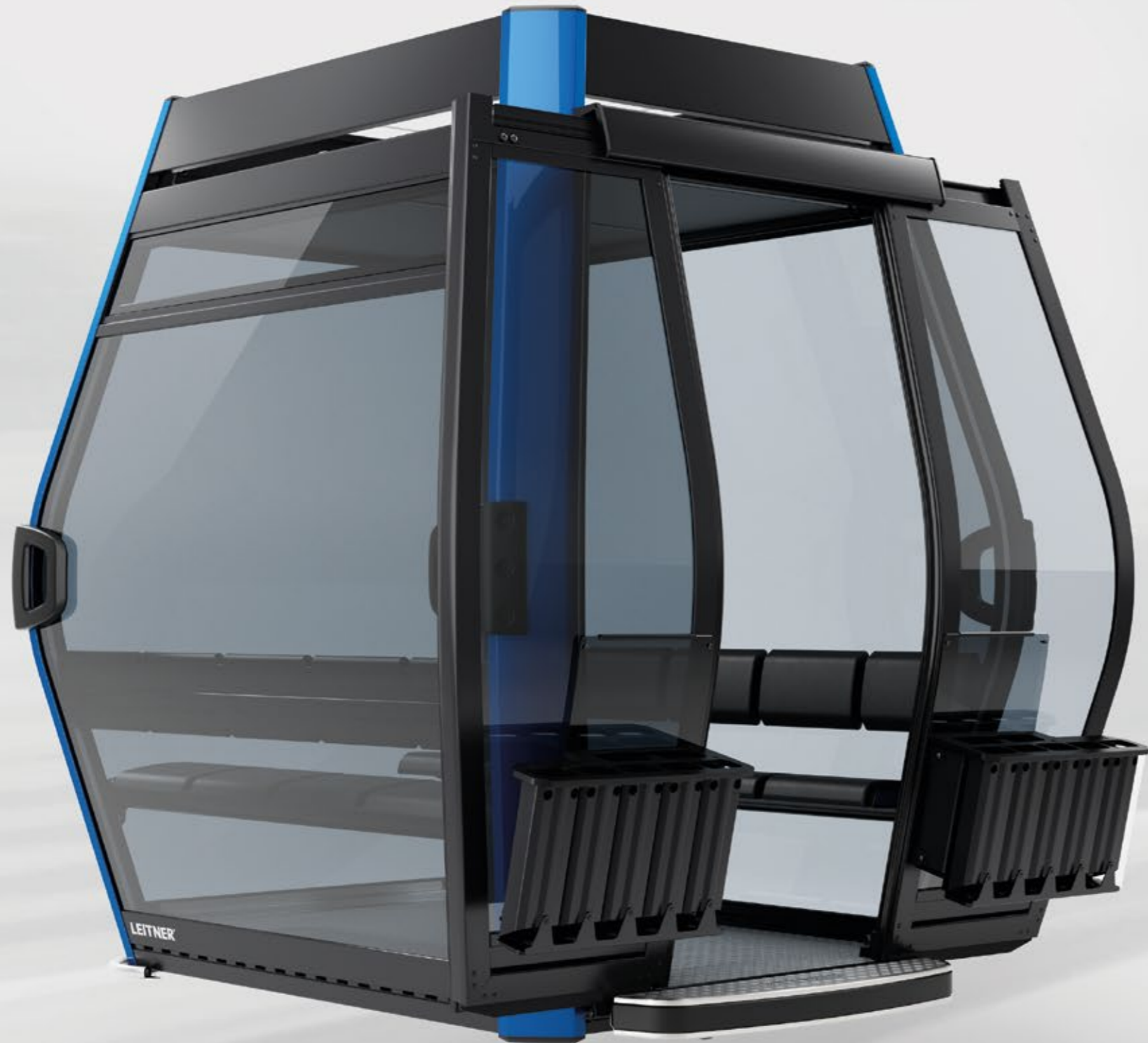


PREMIUM CABIN

DIAMOND EVO





PANORAMIC EXPERIENCE on mountains and in cities

Following through on your vision requires the right perspective.

With the Diamond EVO, LEITNER once again proves that foresight in ropeway design is more than just technical innovation. The Diamond EVO's all-round glazing allows guests to marvel at their impressive surroundings from all angles.

OPTIMAL INTERIOR CLIMATE

The cabin ventilation can be designed in a variety of ways to meet different requirements depending on the intended use — from urban cable cars in tropical countries to transport for athletes up the mountain in winter. Tilting windows can be installed on the valley or mountain side, in the upper area and beneath the seats. The climate in the Diamond EVO is always right wherever it's used.



FANTASTIC VIEWS

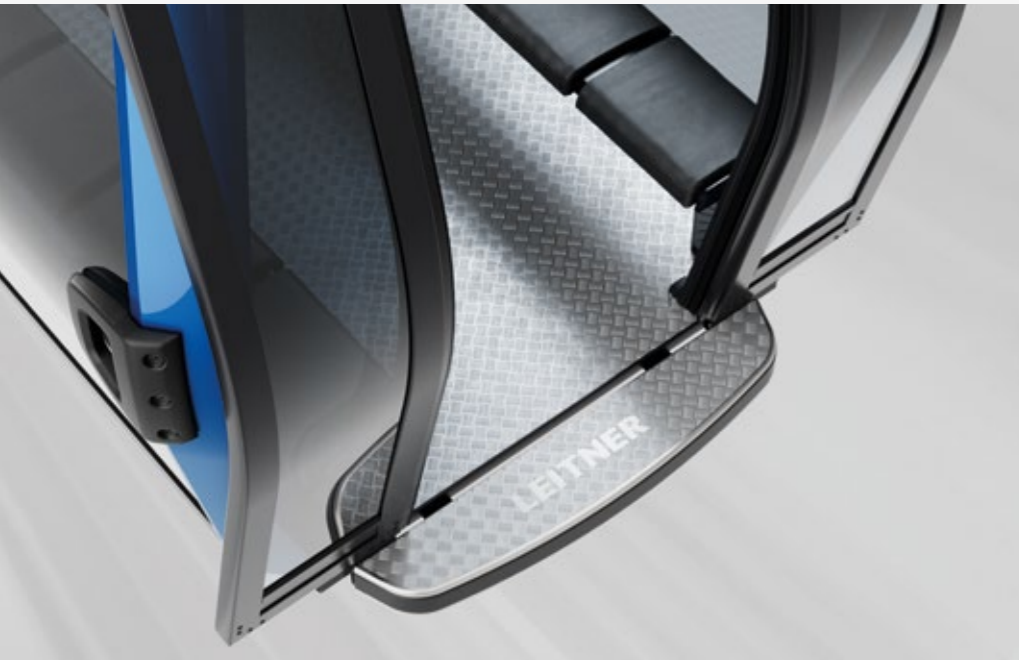
Whether it's a breathtaking mountain panorama or the city lights of a thriving metropolis, the 360° view showcases the unique landscape.

PROVEN TECHNOLOGY MEETS KNOW-HOW

AUTOMATIC SLIDING DOORS

The previously obligatory lever at the bottom of the door is no longer required. As a result, the interior space is enlarged, providing passengers with considerably more comfort thanks to additional legroom. Moreover, the passengers' subjective feeling of safety is improved, as the doors no longer move when leaning against them.

The **Diamond EVO** also offers numerous possibilities for equipping doors and ski racks. The cabin can be equipped with sliding doors with affixed parts on the side or with panorama doors that can be installed over the entire surface. Various solutions are also available for ski transport. Ski racks can be attached to the outside of the door as usual. Additionally, it is also possible to transport the skis inside the cabin.



FEEL-GOOD AMBIENCE

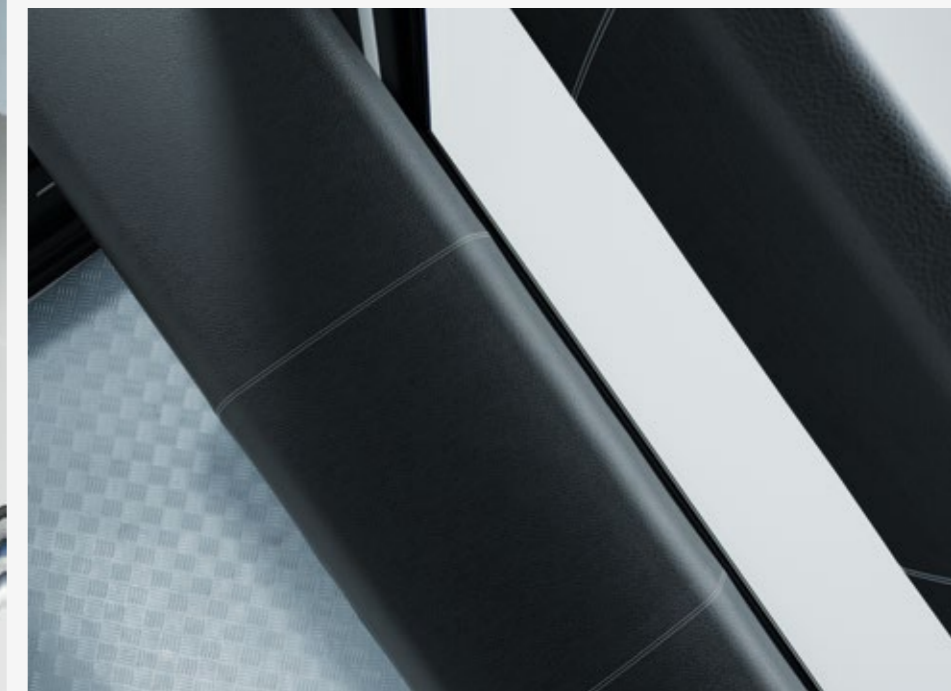
The cabin's special shape creates a unique, open feeling of space and provides guests with an optimal feel-good ambience throughout the journey. Enjoy the fantastic feeling of floating to the fullest.





PLEASANT INTERIOR LIGHTING

To ensure a pleasant journey for customers, we also proudly feature a lighting concept individually tailored to your needs. **Diamond EVO features highest quality in every respect.**



INNOVATION across the line

When it comes to technical excellence, innovation and design quality, LEITNER sees itself as an industry pioneer. The interior design of the new Diamond EVO reflects this sentiment. **In everything we do, your needs as a customer are paramount!**

HIGHEST SEATING COMFORT

The bench profiles can be covered with different materials. Classic options include fabric, synthetic material, or aluminum. Or choose leather for more sophistication! In addition to our one-piece seat benches, we are also able to manufacture benches with individually sewn seat pads. This makes it much easier to replace cushions damaged during operation.



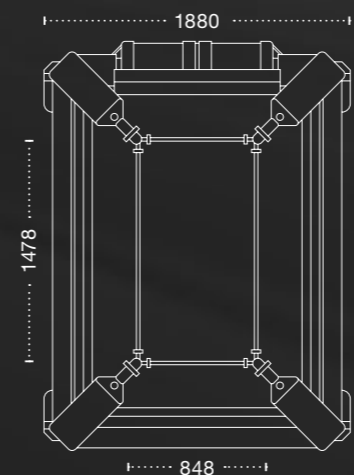
BETTER MARKETING

Don't forget: Cabins can be custom branded to take your corporate design and the existing leitmotif of your company into account.

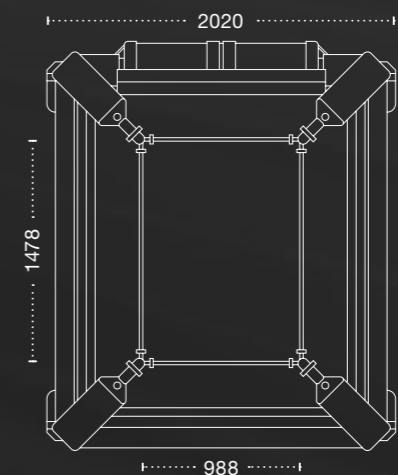
MORE CUSTOMIZATION

Cabins are available in different sizes, i.e. Standard and XLine. Choose the size that best suits your needs. The possibility of exterior lighting also provides an additional visual 'wow' effect when operating the ropeway. Furthermore, there are various floor materials available including sheet metal with a ribbed structure or non-slip rubber coverings. The choice is yours!

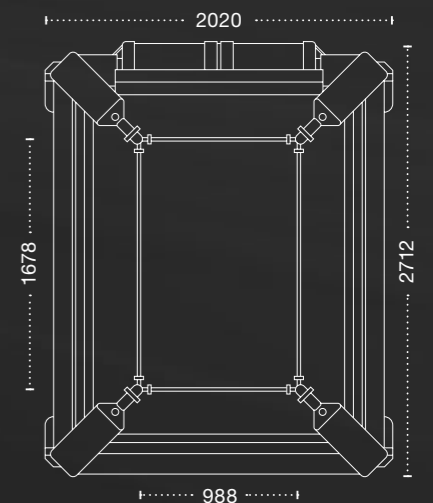
Diamond EVO by LEITNER. Designed to inspire you and your guests.



DIAMOND EVO



DIAMOND EVO XLINE DEEP



DIAMOND EVO XLINE



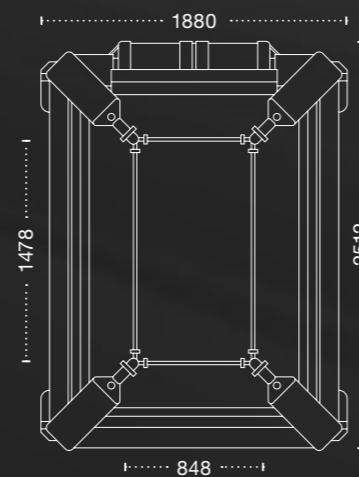
CUSTOM MADE JUST FOR YOU

With the Diamond EVO, individuality is more than just style, design and functionality. It also entails perfectly integrating your personal needs as a ropeway operator.

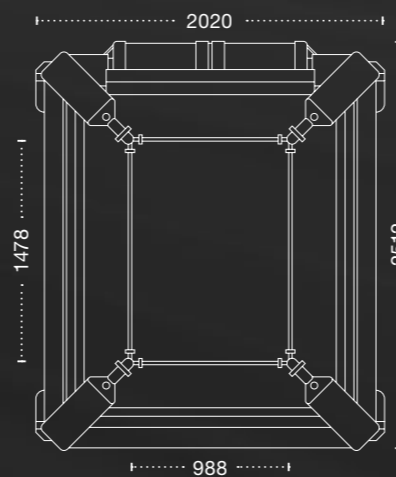
MORE CUSTOMIZATION

Cabins are available in different sizes, i.e. Standard and XLine. Choose the size that best suits your needs. The possibility of exterior lighting also provides an additional visual 'wow' effect when operating the ropeway. Furthermore, there are various floor materials available including sheet metal with a ribbed structure or non-slip rubber coverings. The choice is yours!

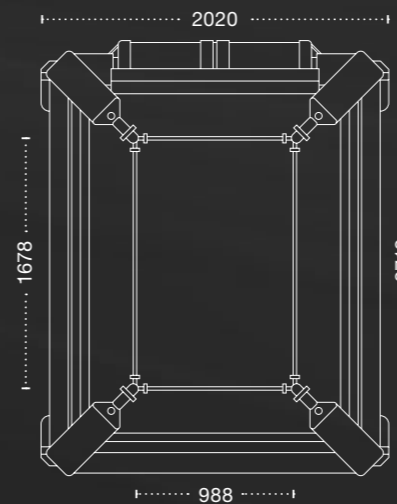
Diamond EVO by LEITNER. Designed to inspire you and your guests.



DIAMOND EVO



DIAMOND EVO XLINE DEEP



DIAMOND EVO XLINE

HIGHLIGHTS

PREMIUM DESIGN & QUALITY

Symbiosis of Diamond and Symphony
High-quality manufacturing

FANTASTIC VIEWS

360° view showcases the unique landscape
The cabin's special shape creates a feel-good ambience










PROVEN TECHNOLOGY MEETS LATEST KNOW-HOW

Ventilation guarantees maximum comfort
Automatic sliding doors

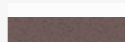







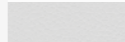




INNOVATION IN ALL RESPECTS

Seats available in various materials
Paintwork of the frame available in all RAL-colors

COLORS GENUINE LEATHER

-  RAL 9011 GRAPHITE BLACK
-  RAL 7010 TARPULIN GREY
-  RAL 7015 SLATE GREY
-  RAL 7021 BLACK GREY
-  RAL 5002 ULTRAMARINE BLUE
-  RAL 5005 SIGNAL BLUE
-  RAL 5010 GENTIAN BLUE
-  RAL 1003 SIGNAL YELLOW
-  RAL 3020 TRAFFIC RED

COLORS SYNTHETIC LEATHER

-  RAL 8011 NUT BROWN
-  RAL 9011 GRAPHITE BLACK
-  RAL 1023 TRAFFIC YELLOW
-  RAL 7038 AGATE GREY
-  RAL 7011 IRON GREY
-  RAL 7040 WINDOW GREY
-  RAL 2011 DEEP ORANGE
-  RAL 5002 ULTRAMARINE BLUE
-  RAL 9010 PURE WHITE
-  RAL 3020 TRAFFIC RED
-  RAL 6029 MINT GREEN
-  PANTONE REFLEX BLUE C
-  PANTONE PROCESS BLUE C

LEITNER®

LEITNER AG

I-39049 Sterzing (BZ)

Tel. +39 0472 722 111

info@leitner.com

www.leitner.com